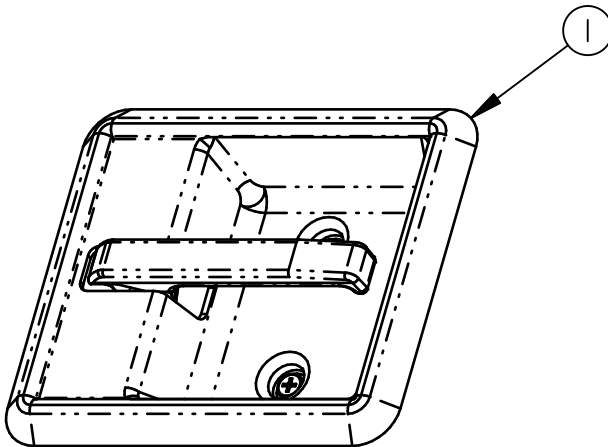


REV.	ECN	BY	CHKD	REVISION
0	RLSE	BJP 9/2/98	CML 9/3/98	RELEASED

10	-	DR, ENTR, LGE, SWG, RH	1
9	-	UPPER RELEASE ROD	1
8	-	LOWER RELEASE ROD	1
7	-	INSIDE RELEASE ROD	1
6	10335-16	ASSY, BLT/WSHR, .905SHLDR, 3/8-16	2
5	11920-16	ASSY, CAGE, NUT, 3/8 THD	2
4	11656-16	ASSY, SGLRTR, RH, 1/4-20, 2PT	1
3	11657-16	ASSY, SGLRTR, LH, 1/4-20, 2PT	1
2	12382-16	ASSY, PLATE, PIVOT, 2PT	1
1	12167-37	030-0425, LGB, LH, INSBZL, NLKG	1

NOTES:

1. CLIPS TO SECURE RODS NOT SHOWN.
2. FOR FMVSS 206 APPLICATIONS, A COMPLETE SYSTEM ANALYSIS MUST BE PERFORMED BY TRI/MARK OR CUSTOMER.
3. DOES NOT COMPLY WITH FMVSS 206 LOCKING REQUIREMENTS.



SCALE 0.500

**PRODUCT SUPPORT DRAWING**  
Individual part dimensions are for reference only. Refer to individual part drawings for complete dimensions and specifications.

## SHEET 1 OF 3

DRAWN BY	BJP	9/2/98
CHKD BY	CML	9/3/98
RLSE DATE	RCH	9/3/98

### TYPICAL APPLICATION

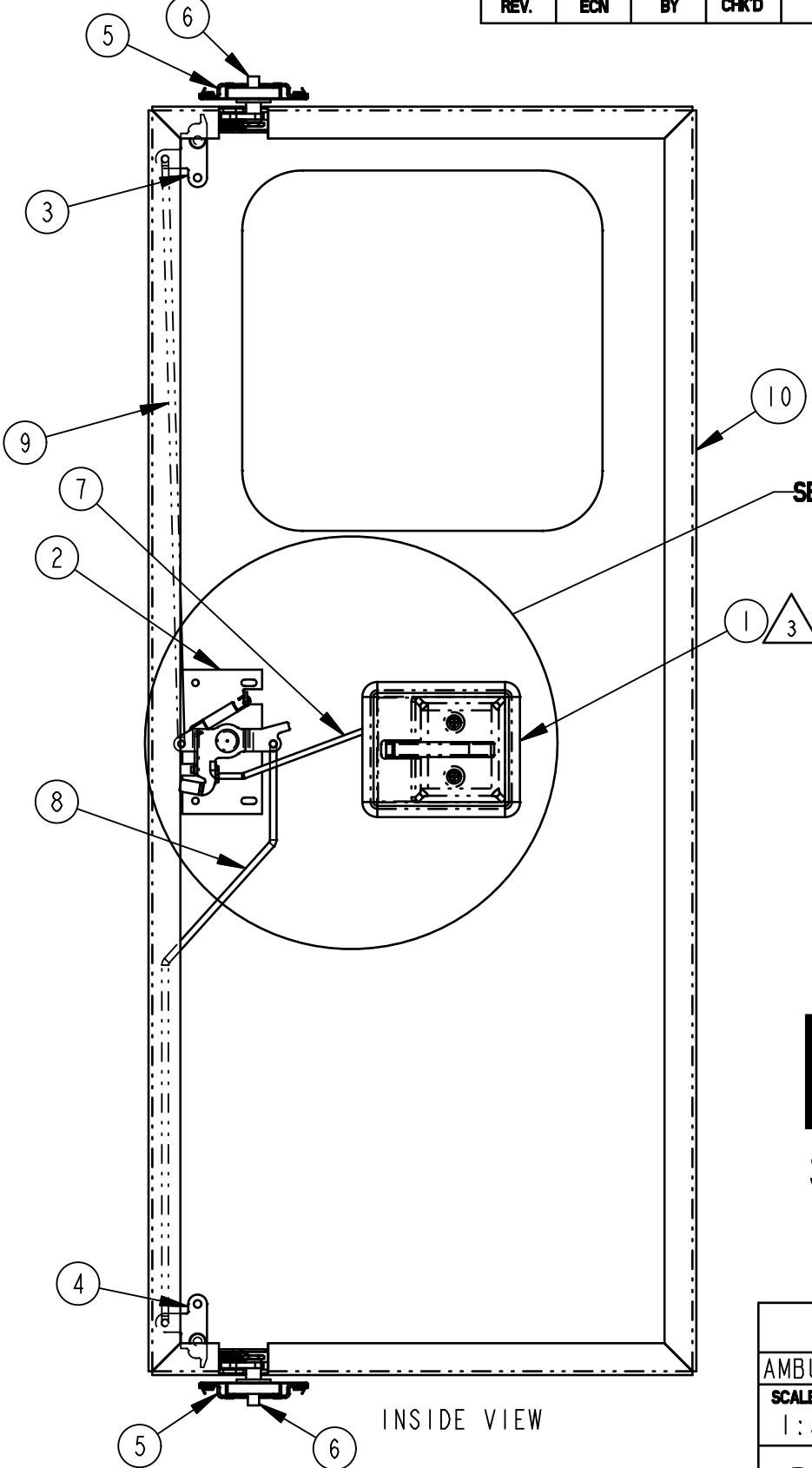
AMBULANCE REAR "DUMMY" DOOR

SCALE	PART NAME
1:5	030-0425, 090-9999, 050-0200, DR, ENTR, LGE, SWG, RH

# A

REV.	PART NO.
0	TY030-0425A

REV.	ECN	BY	CHKD	REVISION
------	-----	----	------	----------



SEE DETAIL A

**PRODUCT SUPPORT DRAWING**  
 Individual part dimensions are for reference only. Refer to individual part drawings for complete dimensions and specifications.

**SHEET 2 OF 3**

<b>DRAWN BY</b>	BJP	9/2/98
<b>CHKD BY</b>	CML	9/3/98
<b>RLSE DATE</b>	RCH	9/3/98

**TYPICAL APPLICATION**

AMBULANCE REAR "DUMMY" DOOR

<b>SCALE</b>	1:5	<b>PART NAME</b>	030-0425, 090-9999, 050-0200, DR, ENTR, LGE, SWG, RH
--------------	-----	------------------	--

<b>REV.</b>	0	<b>PART NO.</b>	TY030-0425A
-------------	---	-----------------	-------------

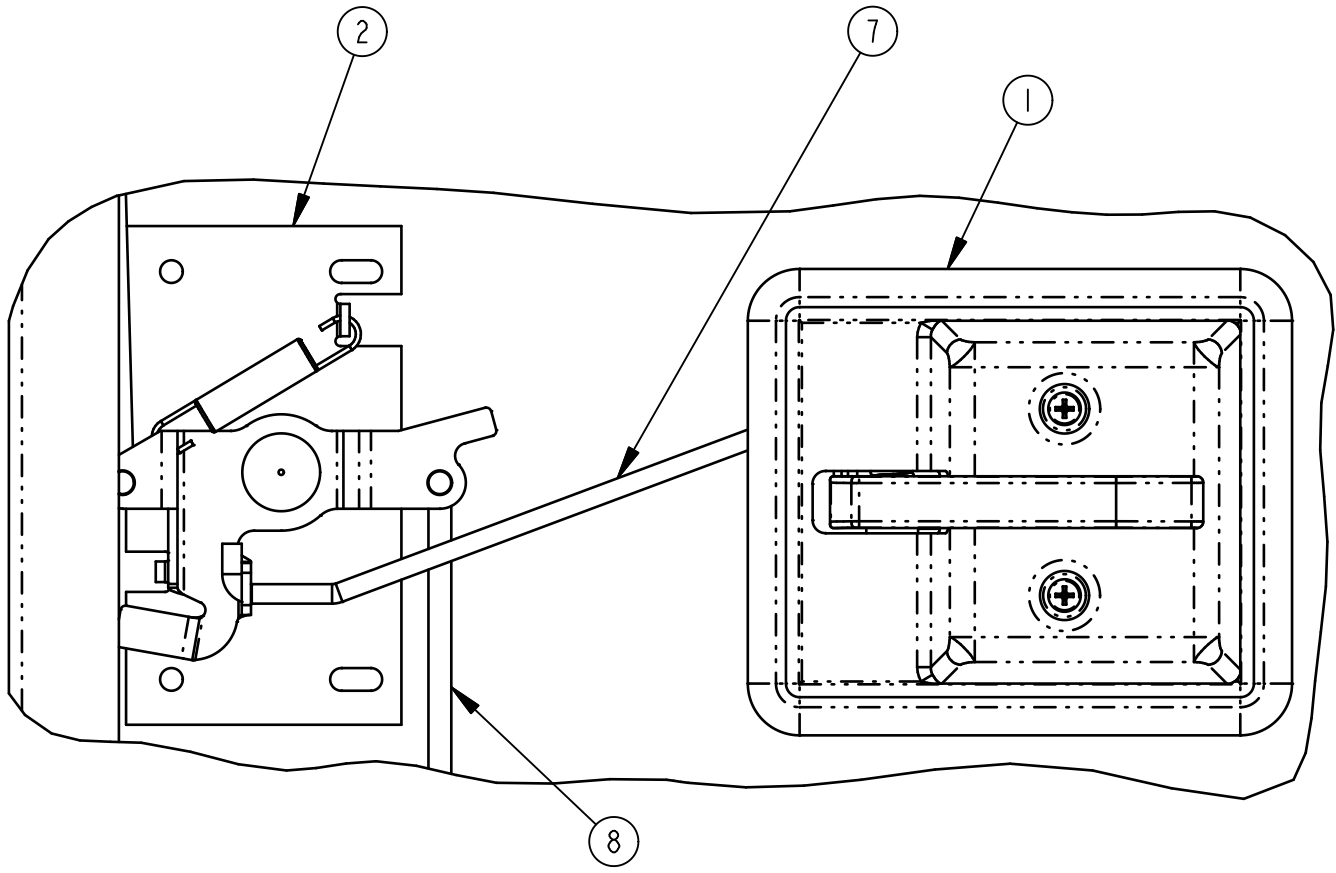
INSIDE VIEW



THIS DRAWING AND THE INFORMATION CONTAINED HEREIN IS THE PROPERTY OF TRI/MARK CORP. AND SHALL NOT BE USED FOR ANY PURPOSE WITHOUT OUR WRITTEN CONSENT.

**A**

REV.	ECN	BY	CHKD	REVISION
------	-----	----	------	----------



**DETAIL A**  
SCALE 0.600

**PRODUCT SUPPORT DRAWING**  
Individual part dimensions are for reference only. Refer to individual part drawings for complete dimensions and specifications.

**SHEET 3 OF 3**

<b>DRAWN BY</b>	BJP	9/2/98
<b>CHKD BY</b>	CML	9/3/98
<b>RLSE DATE</b>	RCH	9/3/98

<b>TYPICAL APPLICATION</b>	
AMBULANCE REAR "DUMMY" DOOR	
<b>SCALE</b>	<b>PART NAME</b>
1:5	030-0425, 090-9999, 050-0200, DR, ENTR, LGE, SWG, RH

<b>A</b>	<b>REV.</b>	<b>PART NO.</b>
	0	TY030-0425A